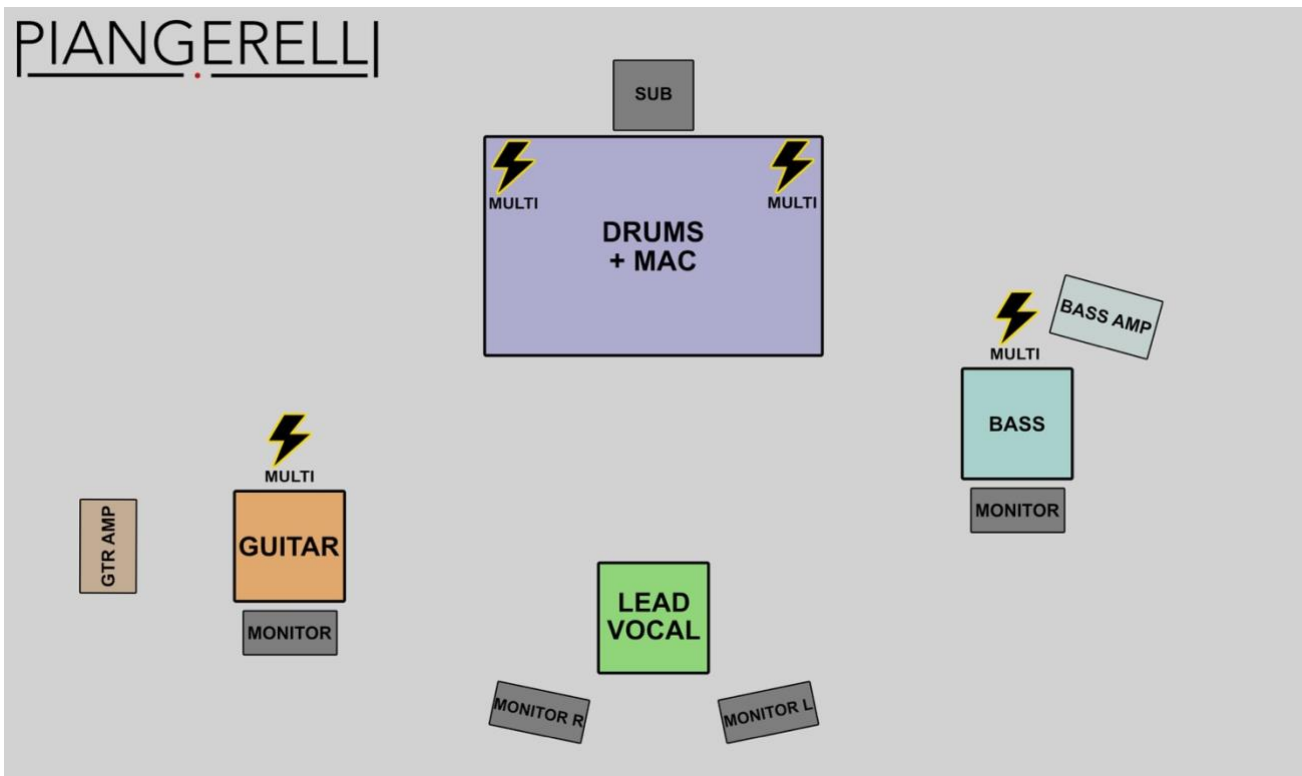


# PIANGERELLI - RIDER

*For any enquiries or technical issues please free to contact Jack Bowman : [me@bowmanjack.com](mailto:me@bowmanjack.com) / +33 (0)6 81 66 76 20*

TRACK	INPUT	MICROPHONE	STAND	INSERT(S)
1	KICK IN	BETA 91	∅	GATE, COMP
2	KICK OUT	BETA 52	SMALL	∅
3	SNARE 1 TOP	SM57	MEDIUM	COMP
4	SNARE 1 BOTTOM	SM57	SMALL	COMP
5	SNARE 2	E906	MEDIUM	COMP
6	TOM 1	E604	∅	COMP
7	TOM 2	MD421	∅	COMP
8	HI-HAT	KM184	MEDIUM	∅
9	OH L	C414	LARGE	∅
10	OH R	C414	LARGE	∅
11	MACBOOK L	DI (w/ G.LIFT)	∅	∅
12	MACBOOK R	DI (w/ G.LIFT)	∅	∅
13	BASS DI	DI (w/ G.LIFT)	∅	∅
14	GUITAR AMP	MD441	∅	∅
15	ACOUSTIC GUITAR	DI (w/ G.LIFT)	∅	∅
16	ACOUSTIC GUITAR	DI (w/ G.LIFT)	∅	∅
17	LEAD VOCAL	BETA 87A HF	STRAIGHT	COMP
18	GUITAR VOCAL	BETA 87A HF	LARGE	COMP



# **PIANGERELLI - RIDER**

## **Technical Specifications**

The total band effective is **4 people** (including PIANGERELLI)

We need to be able to have **at least 2h** to set up and do our soundcheck to guarantee the quality of our performance.

Please use **2 separate power systems** for the lights and the sound equipment.

**DRUMS** must be on a riser **(3m x 2m x 1m - NO SMALLER!!!!)**

**DRUMMER** uses **IN-EAR** monitors are **STEREO** (+ **1x Sub-Woofer**)

For any additional enquiries or technical questions please free to contact **Jack Bowman** :

[me@bowmanjack.com](mailto:me@bowmanjack.com) / +33 (0)6 81 66 76 20